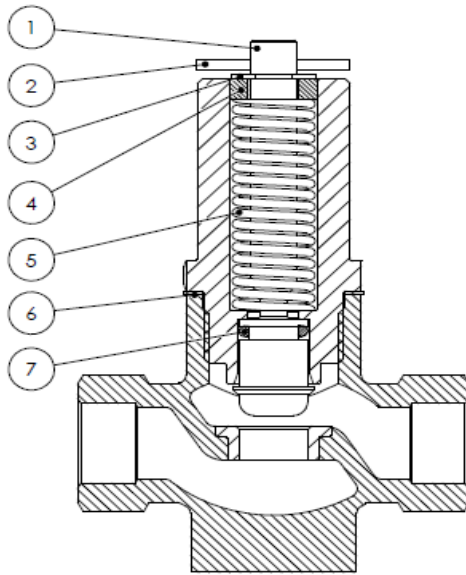


L1SB SPARE PARTS

2-way Control Valves type
Gun Metal, PN 16, DN 15-32 mm

S-2.2.04-A



DN15-32

Pos.	Component
1	Cone
2	Gasket
3	Locking ring
4	Disc
5	Spring
6	Gasket
7	O-ring

Packing set	Pos.	Valve	Item No.
components pos.	1 to 7	15 L1SB	1-2990115
	1 to 7	20 L1SB	1-2990116
	1 to 7	25 L1SB	1-2990117
	1 to 7	32 L1SB	1-2990118