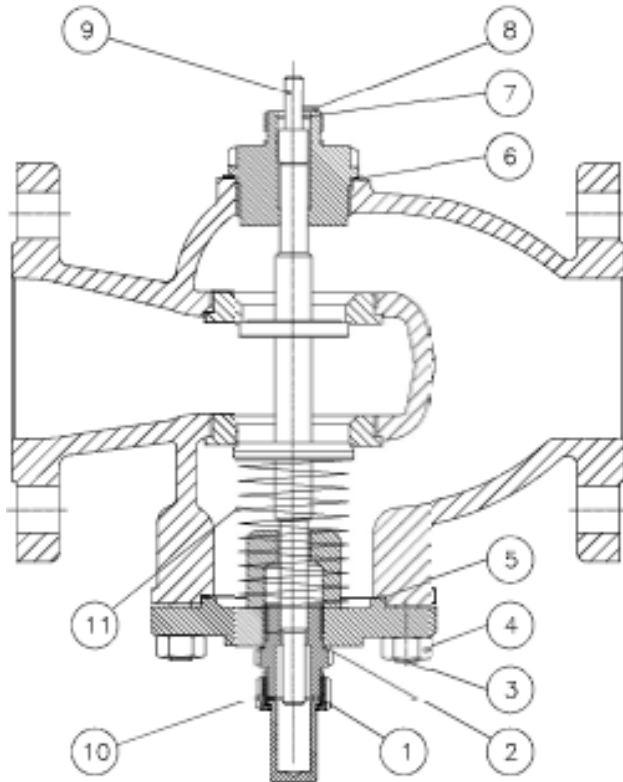


M2FR SPARE PARTS

2-way Control Valves

Cast iron, PN 16, DN 100-150 mm, Reverse acting

S-2.3.07-A



DN100 and 150

Pos.	Component
1	Gasket
2	Gasket
3	Stud bolt
4	Nut
5	Gasket
6	Gasket
7	Locking ring
8	Gasket
9	Cone Shaft
10	Nut
11	Spring

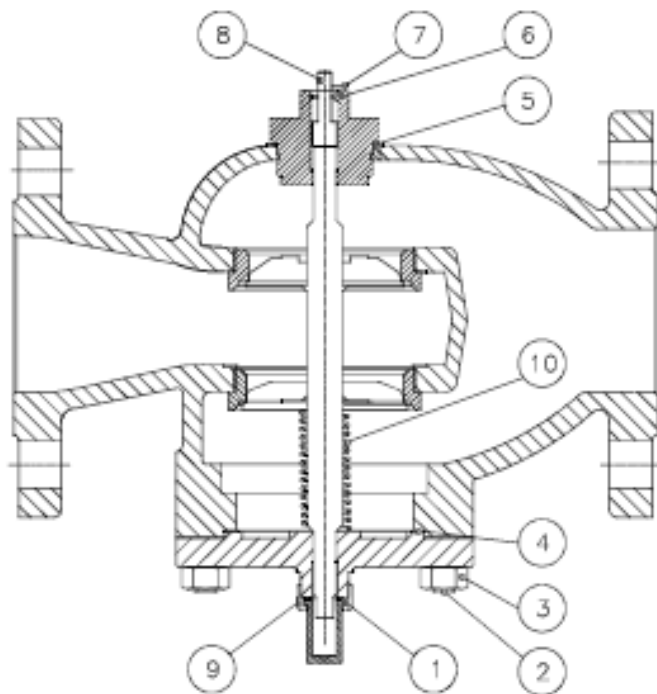
Packing set	Pos.	Valve	Item No.
components pos.	1 to 8	100 M2FR	1-2991901
	1 to 8	150 M2FR	1-2991905
Trim set	Pos.	Valve	Item No.
components pos.	1 to 11	100 M2FR	1-2991902
	1 to 11	150 M2FR	1-2991906

M2FR SPARE PARTS

2-way Control Valves

Cast iron, PN 16, DN 100-150 mm, Reverse acting

S-2.3.07-A



DN125

Pos.	Component
------	-----------

1	Gasket
2	Stud bolt
3	Nut
4	Gasket
5	Gasket
6	Locking ring
7	Gasket
8	Cone shaft
9	Nut
10	Spring

Packing set	Pos.	Valve	Item No.
components pos.	1 to 7	125 M2FR	1-2991903
Trim set	Pos.	Valve	Item No.
components pos.	1 to 10	125 M2FR	1-2991904