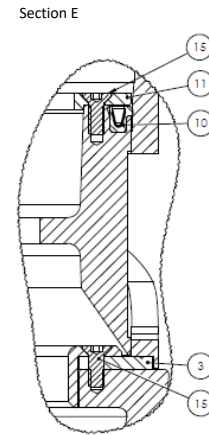
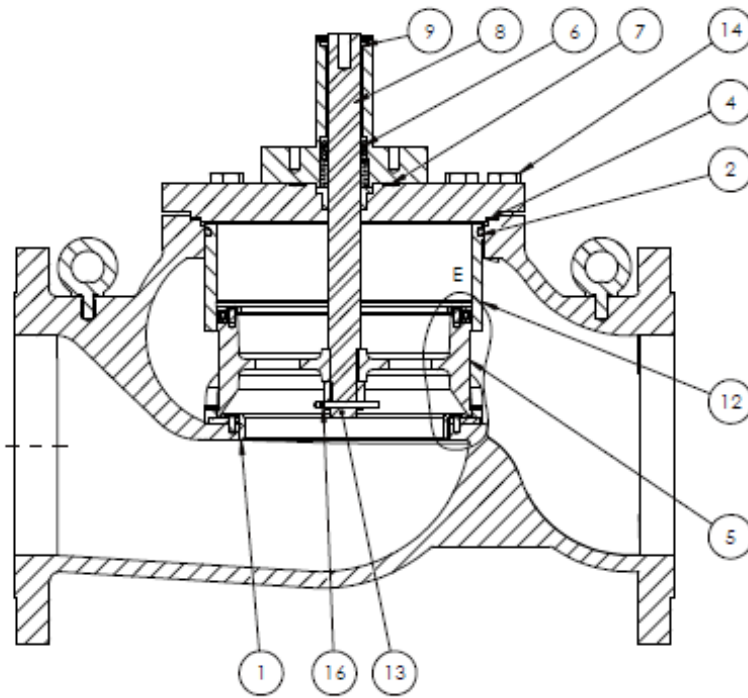


SPARE PARTS

2-Way Control Valve H1FBE PN25 DN200

0-2.10.01-A



PACKING SET 2-WAY CONTROL VALVE PN25 DN200 H1FBE ORDER NO: 2992820		
Pos	DESCRIPTION	QTY
1	BOTTOM RING DN200	
2	ORING $\varnothing 242 \times \varnothing 5.33$	1
3	GASKET $\varnothing 247 \times 5$ FOR DN200	1
4	GASKET $\varnothing 260 \times \varnothing 280 \times 3$	1
5	PLUG FOR DN200	
6	CHEVRON SEALING FOR STEAM	1
7	GASKET $\varnothing 100 \times \varnothing 71 \times 3$	1
8	STEM FOR VALVE DN200	
9	TOP SEAL FOR STEM DN200	
10	LIP SEAL FOR DN20 H2F	1
11	RING FOR LIP SEAL DN200	
12	EQUAL PREC. TUBE DN200	
13	NUT M24 A2-70 DIN 935-1	
14	HEX CAP SCREWS, M16X40, A2 70	12
15	SCREW M6X16 A2-70 DIN 965	24
16	SPLIT PIN 5X50 A2 DIN 94	

TRIM SET 2-WAY CONTROL VALVE PN25 DN200 H1FBE ORDER NO: 2992822		
Pos	DESCRIPTION	PCS
1	BOTTOM RING DN200	1
2	ORING $\varnothing 242 \times \varnothing 5.33$	1
3	GASKET $\varnothing 247 \times 5$ FOR DN200	1
4	GASKET $\varnothing 260 \times \varnothing 280 \times 3$	1
5	PLUG FOR DN200	1
6	CHEVRON SEALING FOR STEAM	1
7	GASKET $\varnothing 100 \times \varnothing 71 \times 3$	1
8	STEM FOR VALVE DN200	1
9	TOP SEAL FOR STEM DN200	1
10	LIP SEAL FOR DN20 H2F	1
11	RING FOR LIP SEAL DN200	1
12	EQUAL PREC. TUBE DN200	1
13	NUT M24 A2-70 DIN 935-1	1
14	HEX CAP SCREWS, M16X40, A2 70	12
15	SCREW M6X16 A2-70 DIN 965	24
16	SPLIT PIN 5X50 A2 DIN 94	1

*- spare parts can be used for steam valve type G-H1FBE and G-H1FBE HV

BROEN A/S - Clorius Division

Skovvej 30, DK-5610 Assens

Phone No: +45 77 32 31 30

E-mail: mail@cloriuscontrols.com

www.cloriuscontrols.com