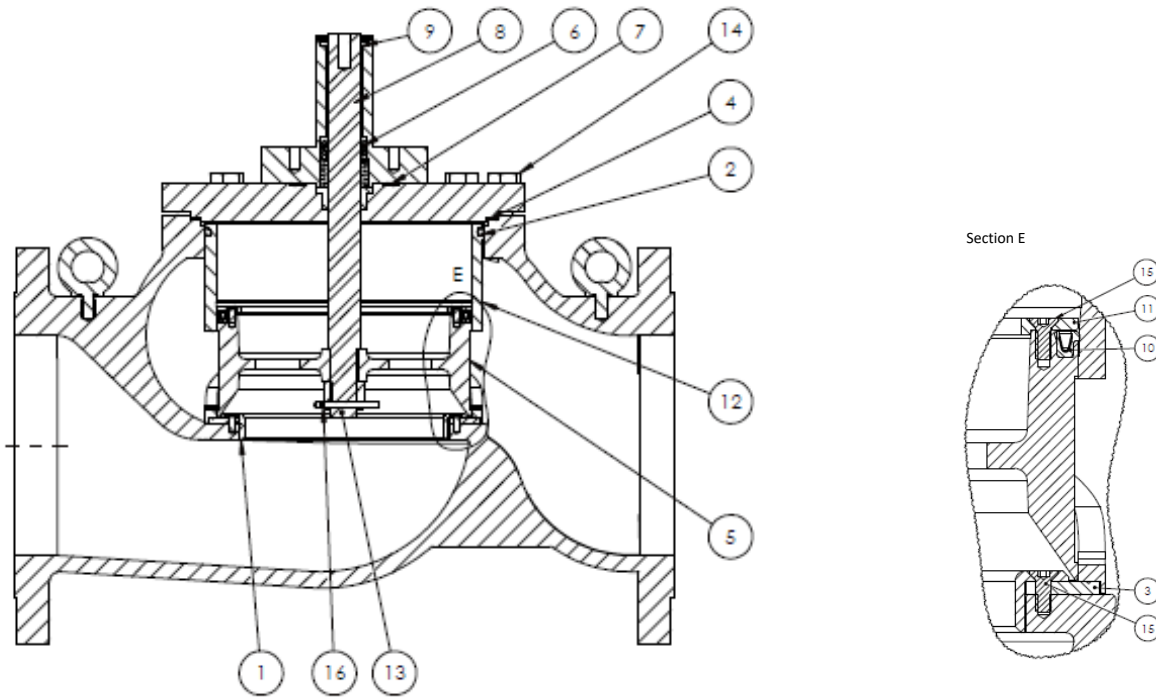


# SPARE PARTS

## 2-Way Control Valve H1FBE PN25 DN250

0-2.10.02-A



PACKING SET		
2-WAY CONTROL VALVE PN25 DN250 H1FBE		
ORDER NO: 2992824		
Pos	DESCRIPTION	QTY
1	BOTTOM RING DN250	
2	ORING $\phi 291 \times \phi 5.33$	1
3	GASKET $\phi 294 \times 5$ FOR DN250	1
4	GASKET $\phi 340 \times \phi 310 \times 3$	1
5	PLUG FOR DN250 STEAM VALVE	
6	CHEVRON SEALING FOR STEAM	1
7	GASKET $\phi 100 \times \phi 71 \times 3$	1
8	STEM FOR VALVE DN250	
9	TOP SEAL FOR STEM DN250	
10	LIP SEAL FOR DN250	1
11	RING FOR LIP SEAL DN250	
12	EQUAL PREC. TUBE DN250 STEAM	
13	NUT M24 A2-70 DIN 935-1	
14	HEX CAP SCREWS, M16X40, A2 70	12
15	SCREW M6X16 A2-70 DIN 965	24
16	SPLIT PIN 5X50 A2 DIN 94	

TRIM SET		
2-WAY CONTROL VALVE PN25 DN250 H1FBE		
ORDER NO: 2992826		
Pos	DESCRIPTION	QTY
1	BOTTOM RING DN250	1
2	ORING $\phi 291 \times \phi 5.33$	1
3	GASKET $\phi 294 \times 5$ FOR DN250	1
4	GASKET $\phi 340 \times \phi 310 \times 3$	1
5	PLUG FOR DN250 STEAM VALVE	1
6	CHEVRON SEALING FOR STEAM	1
7	GASKET $\phi 100 \times \phi 71 \times 3$	1
8	STEM FOR VALVE DN250	1
9	TOP SEAL FOR STEM DN250	1
10	LIP SEAL FOR DN250	1
11	RING FOR LIP SEAL DN250	1
12	EQUAL PREC. TUBE DN250 STEAM	1
13	NUT M24 A2-70 DIN 935-1	1
14	HEX CAP SCREWS, M16X40, A2 70	12
15	SCREW M6X16 A2-70 DIN 965	24
16	SPLIT PIN 5X50 A2 DIN 94	1

\*- spare parts can be used for steam valve type G-H1FBE and G-H1FBE HV

BROEN A/S - Clorius Division

Skovvej 30, DK-5610 Assens

Phone No: +45 77 32 31 30

E-mail: [mail@cloriuscontrols.com](mailto:mail@cloriuscontrols.com)

[www.cloriuscontrols.com](http://www.cloriuscontrols.com)

Date DEC. 2019