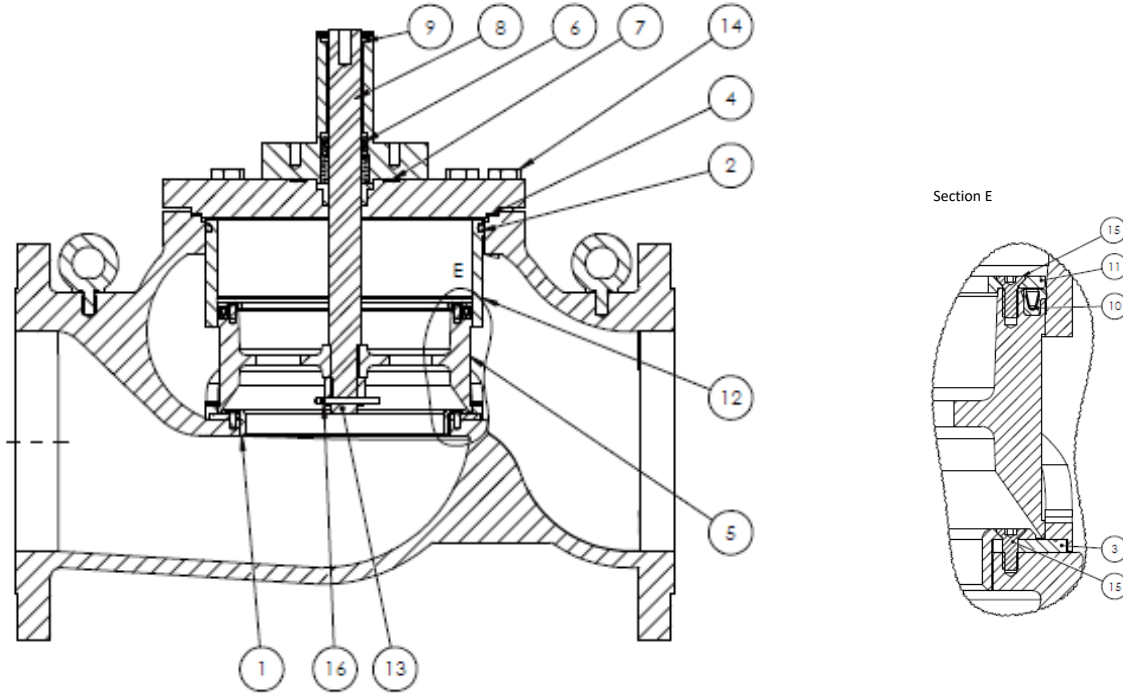


SPARE PARTS

2-Way Control Valve H1FBE PN25 DN300

0-2.10.03-A



PACKING SET 2-WAY CONTROL VALVE PN25 DN300 H1FBE ORDER NO: 2992828		
Pos	DESCRIPTION	QTY
1	BOTTOM RING DN300	
2	ORING $\phi 340 \times \phi 5.33$	1
3	GASKET $\phi 355 \times 5$ FOR DN300	1
4	GASKET $\phi 370 \times \phi 400 \times 3$	1
5	PLUG FOR DN300	
6	CHEVRON SEALING FOR STEAM	1
7	GASKET $\phi 100 \times \phi 71 \times 3$	1
8	STEM FOR VALVE DN300	
9	TOP SEAL FOR STEM	
10	LIP SEAL FOR DN300	1
11	RING FOR LIP SEAL DN300	
12	EQUAL PREC. TUBE DN300	
13	NUT M24 A2-70 DIN 935-1	
14	HEX CAP SCREWS, M16X40, A2 70	12
15	SCREW M6X16 A2-70 DIN 965	24
16	SPLIT PIN 5X50 A2 DIN 94	

TRIM SET 2-WAY CONTROL VALVE PN25 DN300 H1FBE ORDER NO: 2992830		
Pos	DESCRIPTION	QTY
1	BOTTOM RING DN300	1
2	ORING $\phi 340 \times \phi 5.33$	1
3	GASKET $\phi 355 \times 5$ FOR DN300	1
4	GASKET $\phi 370 \times \phi 400 \times 3$	1
5	PLUG FOR DN300	1
6	CHEVRON SEALING FOR STEAM	1
7	GASKET $\phi 100 \times \phi 71 \times 3$	1
8	STEM FOR VALVE DN300	1
9	TOP SEAL FOR STEM	1
10	LIP SEAL FOR DN300	1
11	RING FOR LIP SEAL DN300	1
12	EQUAL PREC. TUBE DN300	1
13	NUT M24 A2-70 DIN 935-1	1
14	HEX CAP SCREWS, M16X40, A2 70	12
15	SCREW M6X16 A2-70 DIN 965	24
16	SPLIT PIN 5X50 A2 DIN 94	1

*- spare parts can be used for steam valve type G-H1FBE and G-H1FBE HV

BROEN A/S - Clorius Division

Skovvej 30, DK-5610 Assens

Phone No: +45 77 32 31 30

E-mail: mail@cloriuscontrols.com

www.cloriuscontrols.com

Date DEC. 2019