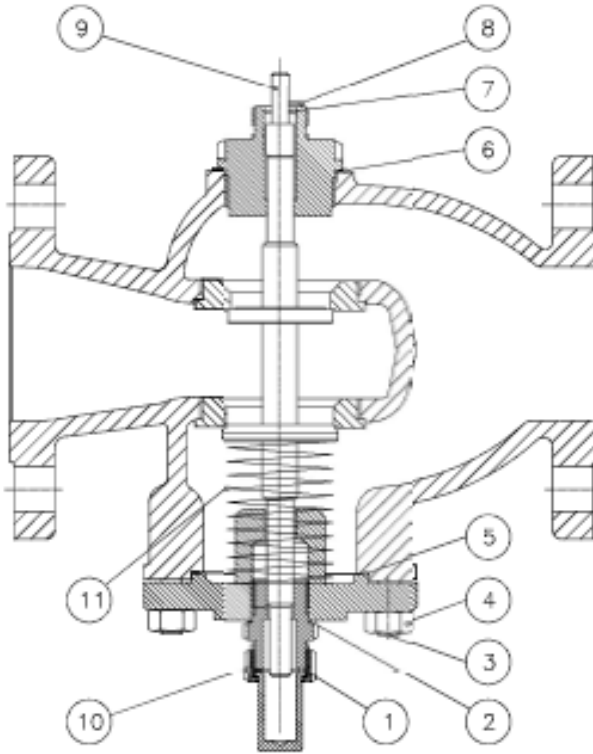


## G2FR SPARE PARTS

2-way Control Valves

Nodular cast iron, PN 16, DN 100-150 mm, Reverse acting

S-2.5.07-A



DN100 and 150

Pos.	Component
1	Gasket
2	Gasket
3	Stud bolt
4	Nut
5	Gasket
6	Gasket
7	Locking ring
8	Gasket
9	Cone shaft
10	Nut
11	Spring

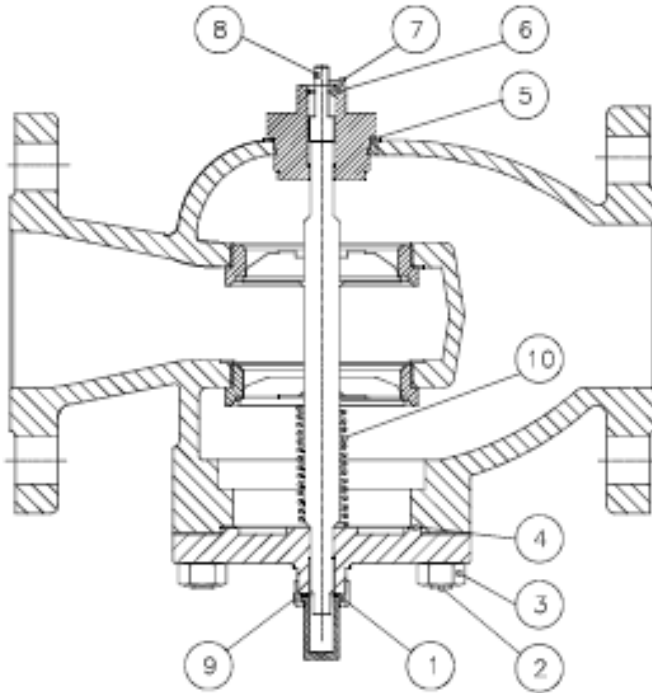
Packing set	Pos.	Valve	Item No.
components pos.	1 to 8	100 G2FR	1-2991901
	1 to 8	150 G2FR	1-2991905
Trim set	Pos.	Valve	Item No.
components pos.	1 to 11	100 G2FR	1-2991902
	1 to 11	150 G2FR	1-2991906

## G2FR SPARE PARTS

2-way Control Valves

Nodular cast iron, PN 16, DN 100-150 mm, Reverse acting

S-2.5.07-A



DN125

Pos.	Component
1	Gasket
2	Stud bolt
3	Nut
4	Gasket
5	Gasket
6	Locking ring
7	Gasket
8	Cone shaft
9	Nut
10	Spring

Packing set	Pos.	Valve	Item No.
<b>components pos.</b>	<b>1 to 7</b>	125 G2FR	1-2991903
Trim set	Pos.	Valve	Item No.
<b>components pos.</b>	<b>1 to 10</b>	125 G2FR	1-2991904