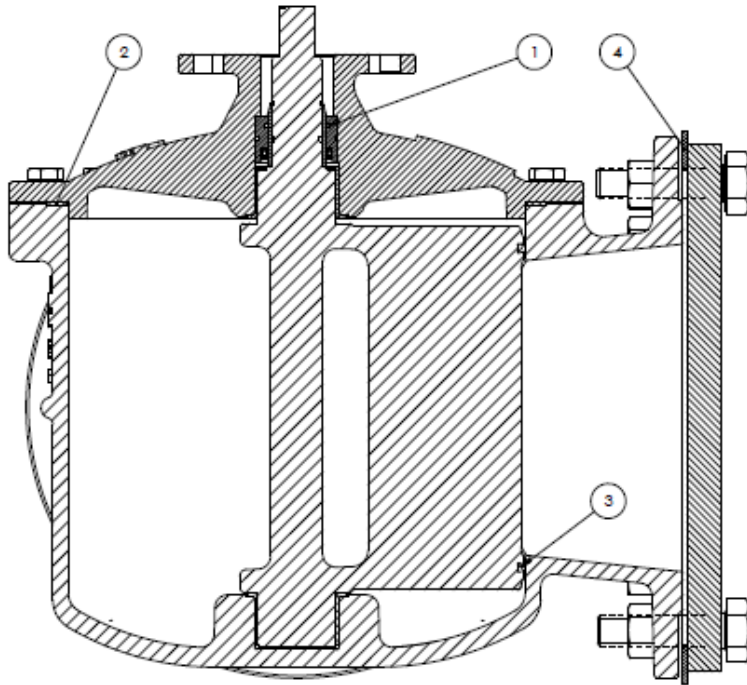


## S2FM-T SPARE PARTS

S-2.7.04-A

2-way Control Valves

Stainless steel, PN 16, DN 100-300 mm / PN 10, DN 350-500 mm



Pos.	Component
1	O-ring for bushing
2	Gasket
3	O-ring for slide
4	Gasket

Packing set	Pos.	Valve	Item No.
<b>components pos.</b>	<b>1 to 4</b>	<b>100 S2FM -T</b>	<b>1-2991540</b>
	<b>1 to 4</b>	<b>125 S2FM -T</b>	<b>1-2991541</b>
	<b>1 to 4</b>	<b>150 S2FM -T</b>	<b>1-2991542</b>
	<b>1 to 4</b>	<b>200 S2FM -T</b>	<b>1-2991543</b>
	<b>1 to 4</b>	<b>250 S2FM -T</b>	<b>1-2991544</b>
	<b>1 to 4</b>	<b>300 S2FM -T</b>	<b>1-2991545</b>
	<b>1 to 4</b>	<b>350 S2FM -T</b>	<b>1-2991546</b>
	<b>1 to 4</b>	<b>400 S2FM -T</b>	<b>1-2991547</b>
	<b>1 to 4</b>	<b>450 S2FM -T</b>	<b>1-2991548</b>
	<b>1 to 4</b>	<b>500 S2FM -T</b>	<b>1-2991549</b>