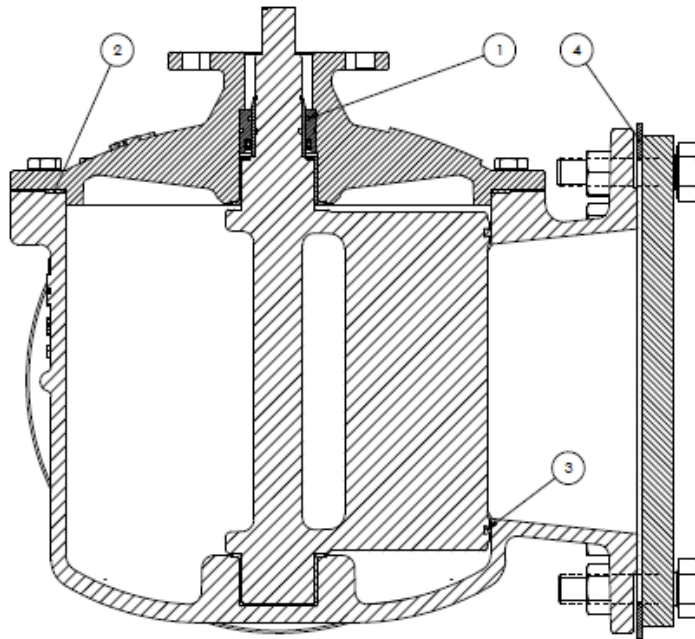


## G2FM-T SPARE PARTS

2-way Control Valves

Nodular cast iron, PN 16, DN 100–300 mm / PN 10, DN 350–500 mm

S-2.5.05.01-A



Pos.	Component
1	O-ring for busing
2	Gasket
3	O-ring for slide
4	Gasket

Packing set	Pos.	Valve	Item No.
<b>components</b>			
<b>pos.</b>	<b>1 to 4</b>	<b>100 G2FM -T</b>	1-2991540
	<b>1 to 4</b>	<b>125 G2FM -T</b>	1-2991541
	<b>1 to 4</b>	<b>150 G2FM -T</b>	1-2991542
	<b>1 to 4</b>	<b>200 G2FM -T</b>	1-2991543
	<b>1 to 4</b>	<b>250 G2FM -T</b>	1-2991544
	<b>1 to 4</b>	<b>300 G2FM -T</b>	1-2991545
	<b>1 to 4</b>	<b>350 G2FM -T</b>	1-2991546
	<b>1 to 4</b>	<b>400 G2FM -T</b>	1-2991547
	<b>1 to 4</b>	<b>450 G2FM -T</b>	1-2991548
	<b>1 to 4</b>	<b>500 G2FM -T</b>	1-2991549