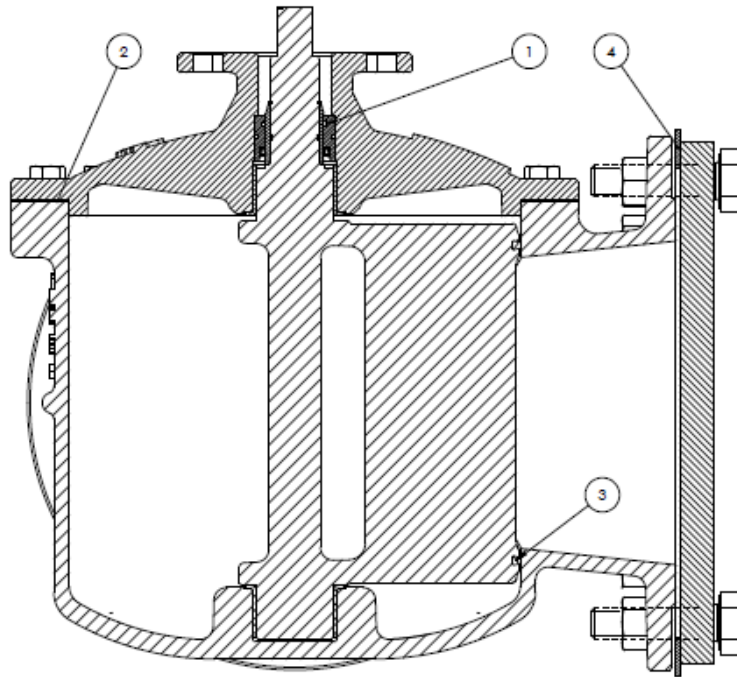


L2FM-T SPARE PARTS

2-way Control Valves

Gun metal, PN 16, DN 100-300 mm / PN 10, DN 350-500 mm

S-2.2.05.03-A



Pos.	Component
1	O-ring for bushing
2	Gasket
3	O-ring for slide
4	Gasket

Packing set	Pos.	Valve	Item No.
components	1 to 4	100 L2FM -T	1-2991540
pos.	1 to 4	125 L2FM -T	1-2991541
	1 to 4	150 L2FM -T	1-2991542
	1 to 4	200 L2FM -T	1-2991543
	1 to 4	250 L2FM -T	1-2991544
	1 to 4	300 L2FM -T	1-2991545
	1 to 4	350 L2FM -T	1-2991546
	1 to 4	400 L2FM -T	1-2991547
	1 to 4	450 L2FM -T	1-2991548
	1 to 4	500 L2FM -T	1-2991549