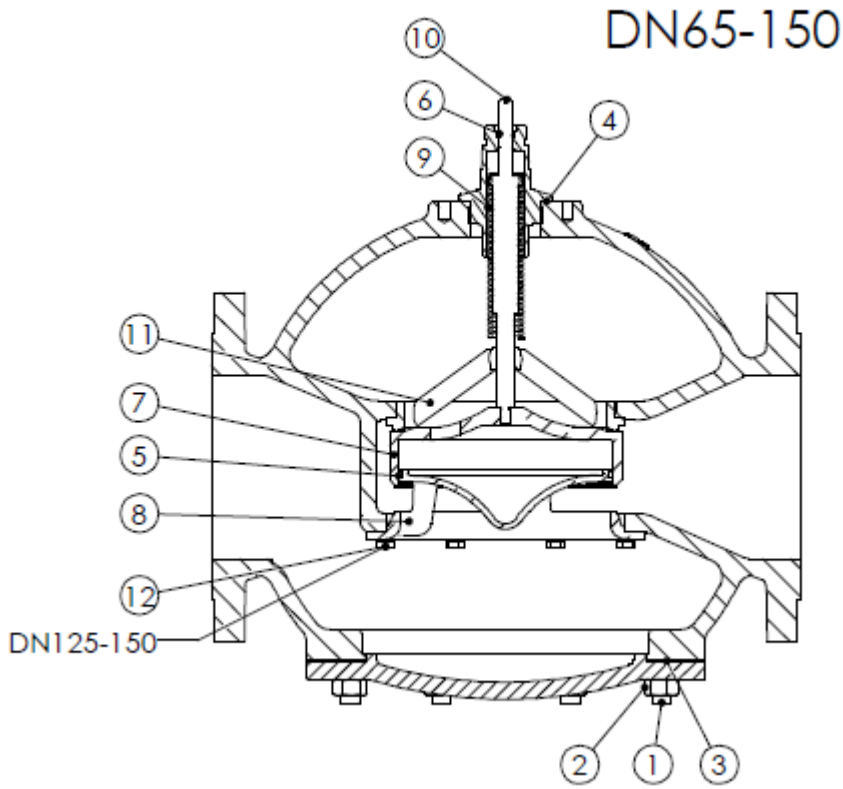


L3F SPARE PARTS

3-way Control Valves

Gun Metal, PN 10, DN 65-150 mm

S-2.2.08-A



Pos.	Component
------	-----------

1	Stud bolt
2	Nut
3	Gasket
4	Gasket
5	O-ring
6	O-ring
7	Cone
8	Lower seat
9	Spring
10	Spindle
11	Upper seat
12	Screw

Packing set	Pos.	Valve	Item No.
components pos.	1 to 6	65 L3F	1-2991130
	1 to 6	80 L3F	1-2991132
	1 to 6	100 L3F	1-2991134
	1 to 6	125 L3F	1-2991136
	1 to 6	150 L3F	1-2991138
Trim set	Pos.	Valve	Item No.
components pos.	1 to 10	65 L3F	1-2990237
	1 to 11	80 L3F	1-2990784
	1 to 11	100 L3F	1-2990308
	1 to 12	125 L3F	1-2990318
	1 to 12	150 L3F	1-2990320