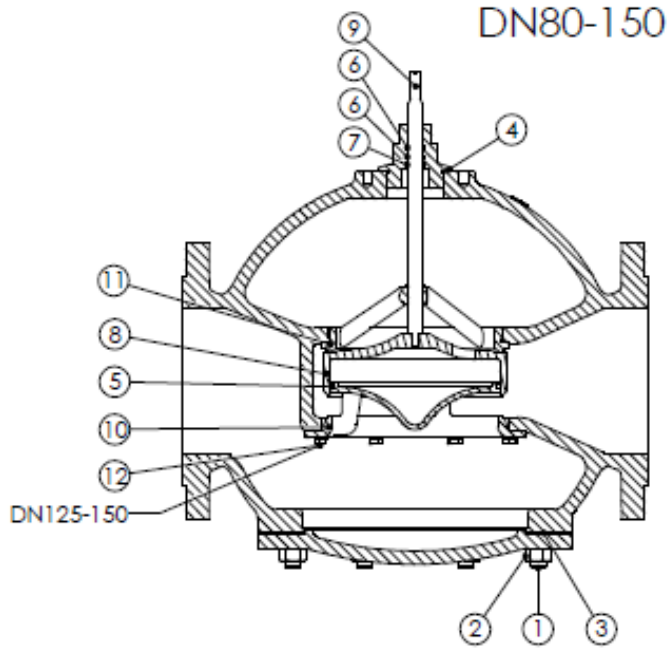


L3FA SPARE PARTS

3-way Control Valves

Gun metal, PN 10, DN 80-200 mm / PN 6, DN 300/250 - 300 mm

S-2.2.09.01-A



Pos.	Component
------	-----------

1	Stud bolt
2	Nut
3	Gasket
4	Gasket
5	O-ring
6	O-ring
7	U-ring
8	Cone
9	Spindle
10	Lower seat
11	Upper seat

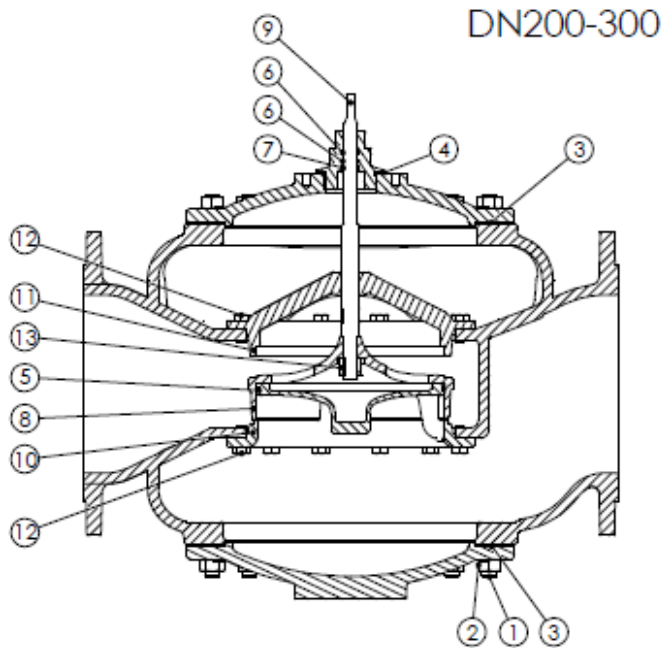
Packing set	Pos.	Valve	Item No.
components pos.	1 to 7	80 L3FA	1-2992720
	1 to 7	100 L3FA	1-2992722
	1 to 7	125 L3FA	1-2992724
	1 to 7	150 L3FA	1-2992726
Trim set	Pos.	Valve	Item No.
components pos.	1 to 11	80 L3FA	1-2992721
	1 to 11	100 L3FA	1-2992723
	1 to 12	125 L3FA	1-2992725
	1 to 12	150 L3FA	1-2992727

L3FA SPARE PARTS

3-way Control Valves

Gun metal, PN 10, DN 80-200 mm / PN 6, DN 300/250 - 300 mm

S-2.2.09.01-A



Pos.	Component
1	Stud bolt
2	Nut
3	Gasket
4	Gasket
5	O-ring
6	O-ring
7	U-Ring
8	Cone
9	Spindle
10	Lower seat
11	Upper seat
12	Screw
13	Nut

Order Information:

Packing set	Pos.	Valve	Item No.
components pos.	1 to 7	200/175 L3FA	1-2992728
	1 to 7	200 L3FA	1-2992730
	1 to 7	250/300 L3FA	1-2992732
	1 to 7	300 L3FA	1-2992734
Trim set	Pos.	Valve	Item No.
components pos.	1 to 13	200/175 L3FA	1-2992729
	1 to 13	200 L3FA	1-2992731
	1 to 13	250/300 L3FA	1-2992733
	1 to 13	300 L3FA	1-2992735