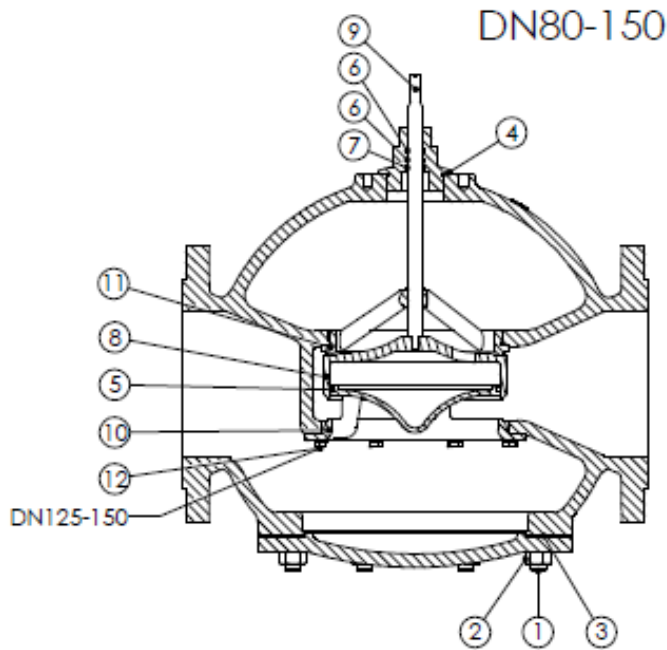


M3FA SPARE PARTS

S-2.3.10.01-A

3-way Control Valves

Cast iron, PN 10, DN 80-300 mm, except DN 200/175 and 200 mm- PN 16



Pos.	Component
1	Stud bolt
2	Nut
3	Gasket
4	Gasket
5	O-ring
6	O-ring
7	U-ring
8	Cone
9	Spindle
10	Lower seat
11	Upper seat
12	Screw
13	Nut

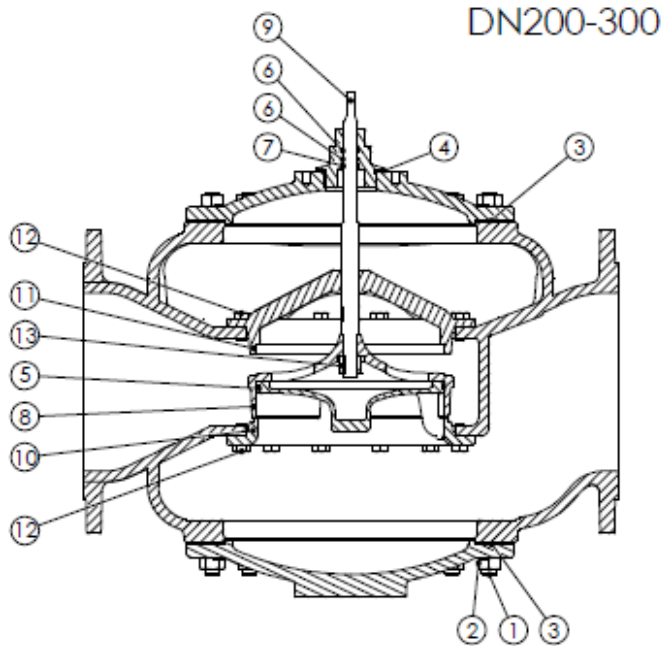
Packing set	Pos.	Valve	Item No.
components pos.	1 to 7	80 M3FA	1-2992701
	1 to 7	100 M3FA	1-2992703
	1 to 7	125 M3FA	1-2992705
	1 to 7	150 M3FA	1-2992707
Trim set	Pos.	Valve	Item No.
components pos.	1 to 11	80 M3FA	1-2992700
	1 to 11	100 M3FA	1-2992702
	1 to 12	125 M3FA	1-2992704
	1 to 12	150 M3FA	1-2992706

M3FA SPARE PARTS

S-2.3.10.01-A

3-way Control Valves

Cast iron, PN 10, DN 80-300 mm, except DN 200/175 and 200 mm- PN 16



Pos.	Component
1	Stud bolt
2	Nut
3	Gasket
4	Gasket
5	O-ring
6	O-ring
7	U-Ring
8	Cone
9	Spindle
10	Lower seat
11	Upper seat
12	Screw
13	Nut

Packing set components pos.	Pos.	Valve	Item No.
	1 to 7	200/175 M3FA	1-2992709
	1 to 7	200 M3FA	1-2992711
	1 to 7	250/300 M3FA	1-2992713
	1 to 7	300 M3FA	1-2992715

Trim set components pos.	Pos.	Valve	Item No.
	1 to 13	200/175 M3FA	1-2992708
	1 to 13	200 M3FA	1-2992710
	1 to 13	250/300 M3FA	1-2992712
	1 to 13	300 M3FA	1-2992714