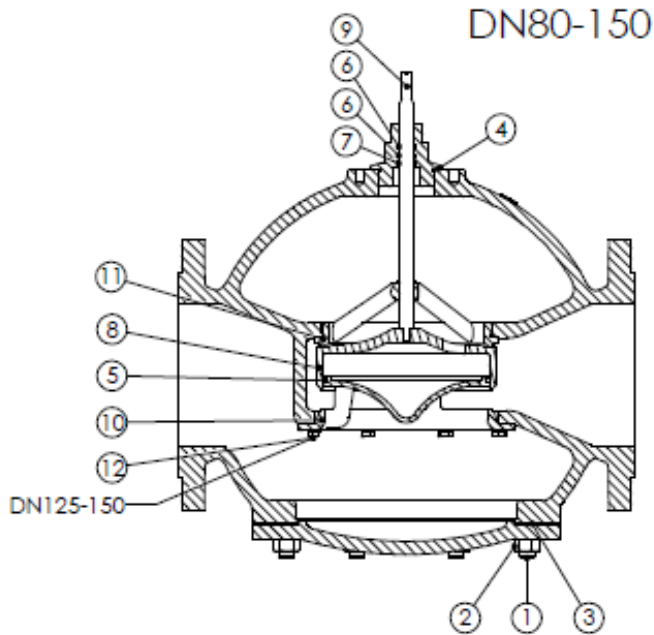


**M3FA-I**(Ports A-AB interchanged) **SPARE PARTS****S-2.3.12.02-A**

3-way Control Valves

Cast iron, PN 16, DN 200/175-200 mm / PN 10, DN 300/250-300 mm



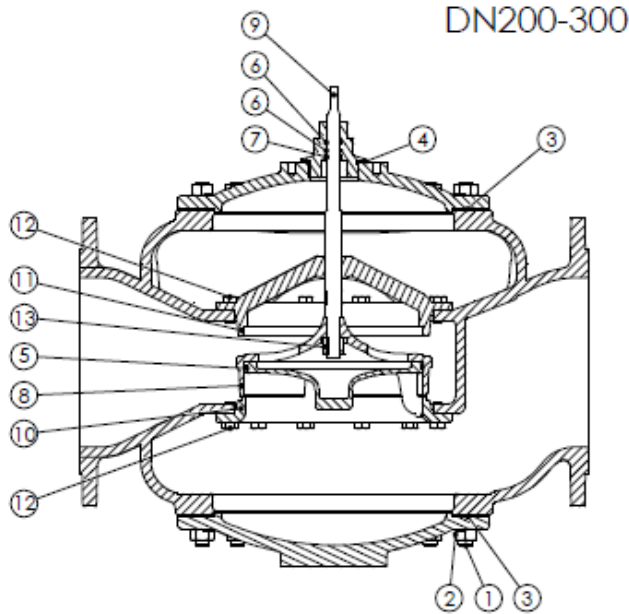
Pos.	Component
1	Stud bolt
2	Nut
3	Gasket
4	Gasket
5	O-ring
6	O-ring
7	U-ring
8	Cone
9	Spindle
10	Lower seat
11	Upper seat
12	Screw
13	Nut

<b>Packing set</b>	Pos.	Valve	Item No.
<b>components pos.</b>	<b>1 to 7</b>	80 M3FA-I	1-2992701
	<b>1 to 7</b>	100 M3FA-I	1-2992703
	<b>1 to 7</b>	125 M3FA-I	1-2992705
	<b>1 to 7</b>	150 M3FA-I	1-2992707
<b>Trim set</b>	Pos.	Valve	Item No.
<b>components pos.</b>	<b>1 to 11</b>	80 M3FA-I	1-2992700
	<b>1 to 11</b>	100 M3FA-I	1-2992702
	<b>1 to 12</b>	125 M3FA-I	1-2992704
	<b>1 to 12</b>	150 M3FA-I	1-2992706

**M3FA-I**(Ports A-AB interchanged) **SPARE PARTS****S-2.3.12.02-A**

3-way Control Valves

Cast iron, PN 16, DN 200/175-200 mm / PN 10, DN 300/250-300 mm



Pos. Component

1	Stud bolt
2	Nut
3	Gasket
4	Gasket
5	O-ring
6	O-ring
7	U-ring
8	Cone
9	Spindle
10	Lower seat
11	Upper seat
12	Screw
13	Nut

Packing set	Pos.	Valve	Item No.
<b>components pos.</b>	<b>1 to 7</b>	200/175 M3FA-I	1-2992709
	<b>1 to 7</b>	200 M3FA-I	1-2992711
	<b>1 to 7</b>	250/300 M3FA-I	1-2992713
	<b>1 to 7</b>	300 M3FA-I	1-2992715
Trim set	Pos.	Valve	Item No.
<b>components pos.</b>	<b>1 to 13</b>	200/175 M3FA-I	1-2992708
	<b>1 to 13</b>	200 M3FA-I	1-2992710
	<b>1 to 13</b>	250/300 M3FA-I	1-2992712
	<b>1 to 13</b>	300 M3FA-I	1-2992714