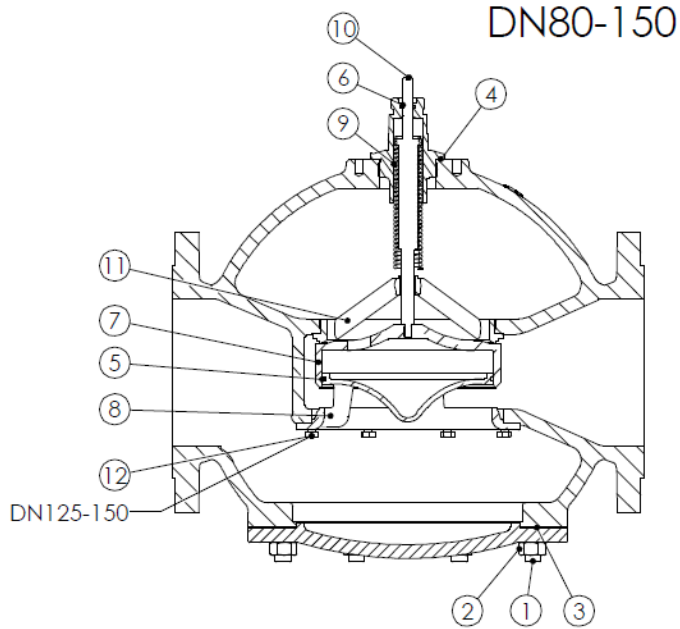


**H3F SPARE PARTS**  
 3-way Control Valves  
 Cast Steel, PN 16, DN 80-150 mm

**S-2.4.08-A**



**Pos. Component**

1	Stud bolt
2	Nut
3	Gasket
4	Gasket
5	O-ring
6	O-ring
7	Cone
8	Lower seat
9	Spring
10	Spindle
11	Upper seat
12	Screw

<b>Packing set</b>	Pos.	Valve	Item No.
<b>components pos.</b>	<b>1 to 6</b>	80 H3F	1-2991620
	<b>1 to 6</b>	100 H3F	1-2991623
	<b>1 to 6</b>	125 H3F	1-2991627
	<b>1 to 6</b>	150 H3F	1-2991632
<b>Trim set</b>	Pos.	Valve	Item No.
<b>components pos.</b>	<b>1 to 11</b>	80 H3F	1-2991640
	<b>1 to 11</b>	100 H3F	1-2991643
	<b>1 to 12</b>	125 H3F	1-2991645
	<b>1 to 12</b>	150 H3F	1-2991649