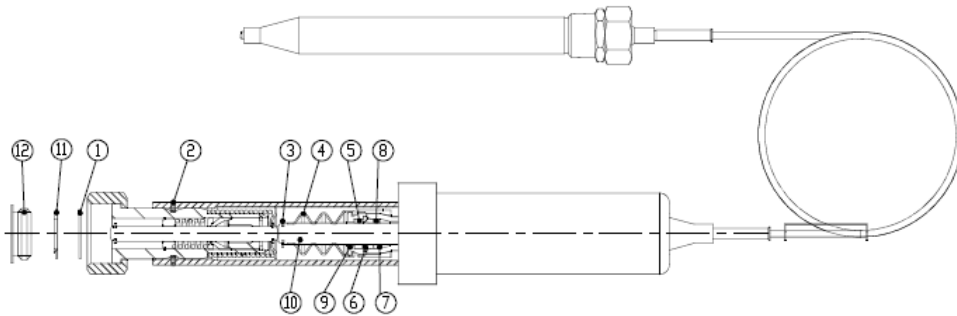


SPARE PARTS

V4.03, V4.05 and V4.10 Thermostats of stainless steel
Self-acting Temperature Controls

S-3.4.05-A



Pos.	Component
1	Gasket
2	Screw
3	Locking washer
4	Rubber bellow
5	Rubber ring
6	Collar bushing
7	Oring
8	Support ring
9	Nut
10	Piston
11	Packing
12	Reduction Nut 3/4"

PACKING SET	Pos.	Thermostat	Item No.
components pos.	1-8	V4	1-3990355
REPAIR SET	Pos.	Thermostat	Item No.
components pos.	1-10	V4	1-3990312
REDUCTION SET FOR V4	Pos.	Valves 3/4"	Item No.
components pos.	1, 11, 12	V4	1-3990625