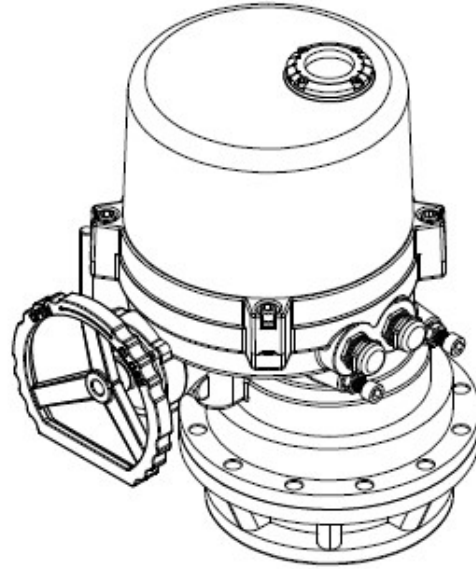


Actuator type CAR-H 010 - 110



Actuator type CAR-H S200 - 250

**PART LIST**

Pos	DESCRIPTION	PCS	PART NO:
1	Handwheel	1	On request
2	Cover	1	On request
3	Indicator	1	On request
4	Cover Gasket	1	On request

**Spare parts are only available on request**

Please contact Clorius Controls on [mail@cloriuscontrols.com](mailto:mail@cloriuscontrols.com) for more information