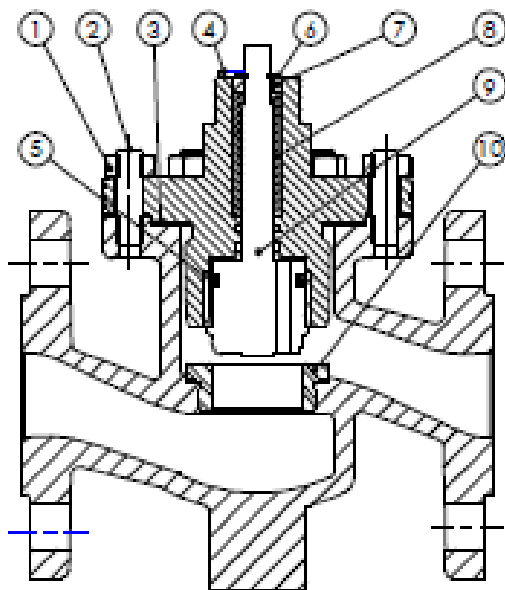


H1FBN SPARE PARTS

Balanced 2-way Control Valves
Cast steel, PN 40, DN 15-80 mm

S-2.4.03.01-A



DN15-80

Pos.	Component
------	-----------

1	Nut
2	Stud bolt
3	Gasket
4	Gasket
5	O-ring
6	Locking ring
7	Disc
8	Spring
9	Cone
10	Lower seat

Packing set	Pos.	Valve	Item No.	Trim set	Pos.	Valve	Item No.
components pos.	1 to 5	15 H1FBN	1-2992335	components pos.	1 to 10	15 H1FBN	1-2992345
	1 to 5	20 H1FBN	1-2992336		1 to 10	20 H1FBN	1-2992346
	1 to 5	25 H1FBN	1-2992337		1 to 10	25 H1FBN	1-2992347
	1 to 5	32 H1FBN	1-2992338		1 to 10	32 H1FBN	1-2992348
	1 to 5	40 H1FBN	1-2992339		1 to 10	40 H1FBN	1-2992349
	1 to 5	50 H1FBN	1-2992340		1 to 10	50 H1FBN	1-2992350
	1 to 5	65 H1FBN	1-2992341		1 to 10	65 H1FBN	1-2992351
	1 to 5	80 H1FBN	1-2992342		1 to 10	80 H1FBN	1-2992352