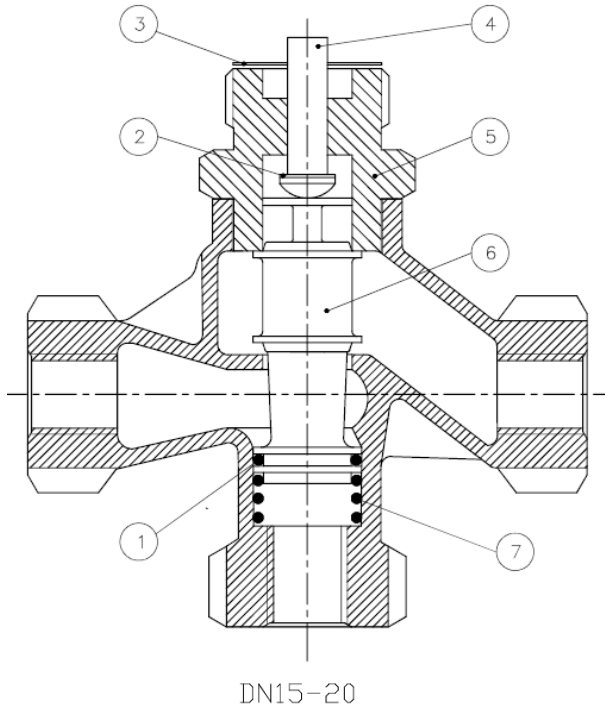


## L3S SPARE PARTS

3-way Control Valves

Gun Metal, PN 10, DN 15-50 mm

S-2.2.07-A



Pos.	Component
------	-----------

1	O-ring
2	Washer
3	Packing
4	Press Button
5	Screwed cone
6	Cone
7	Spring

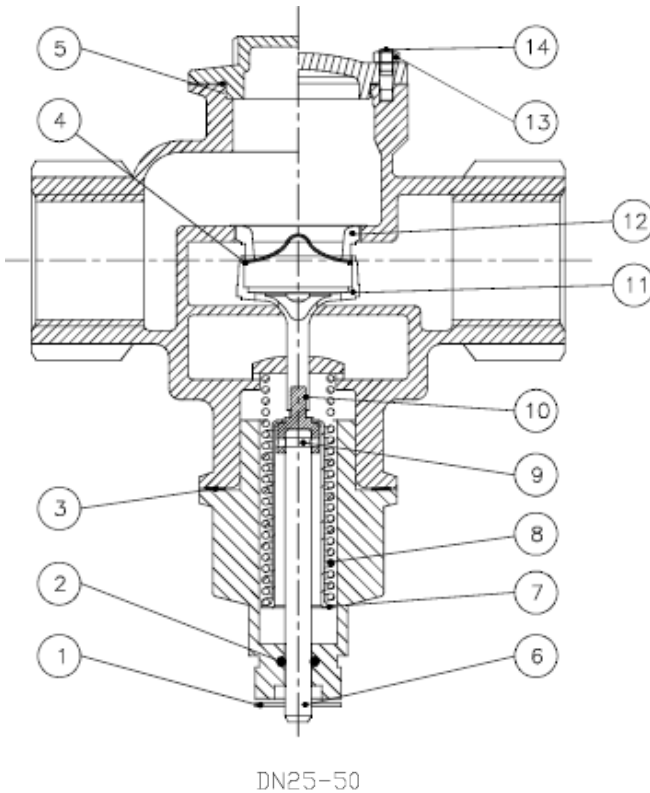
Packing set	Pos.	Valve	Item No.
<b>components pos.</b>	<b>1 to 3</b>	15-20 L3S	1-2990739
Trim set	Pos.	Valve	Item No.
<b>components pos.</b>	<b>1 to 7</b>	15 L3S	1-2990740
	<b>1 to 7</b>	20 L3S	1-2990741

## L3S SPARE PARTS

3-way Control Valves

Gun Metal, PN 10, DN 15-50 mm

S-2.2.07-A



Pos.	Component
1	Gasket
2	O-ring
3	Gasket
4	O-ring
5	Gasket
6	Spindle
7	Spring guide
8	Spring
9	Pin
10	Heads of spindle
11	Cone
12	Seat
13	Nut
14	Stud bolt

Packing set	Pos.	Valve	Item No.
<b>components pos.</b>	<b>1 to 5</b>	25-32 L3S	1-2991038
	<b>1 to 5 and 13 ,14</b>	40-50 L3S	1-2991046
Trim set	Pos.	Valve	Item No.
<b>components pos.</b>	<b>1 to 14</b>	25-32 L3S	1-2991039
	<b>1 to 14</b>	40-50 L3S	1-2991047