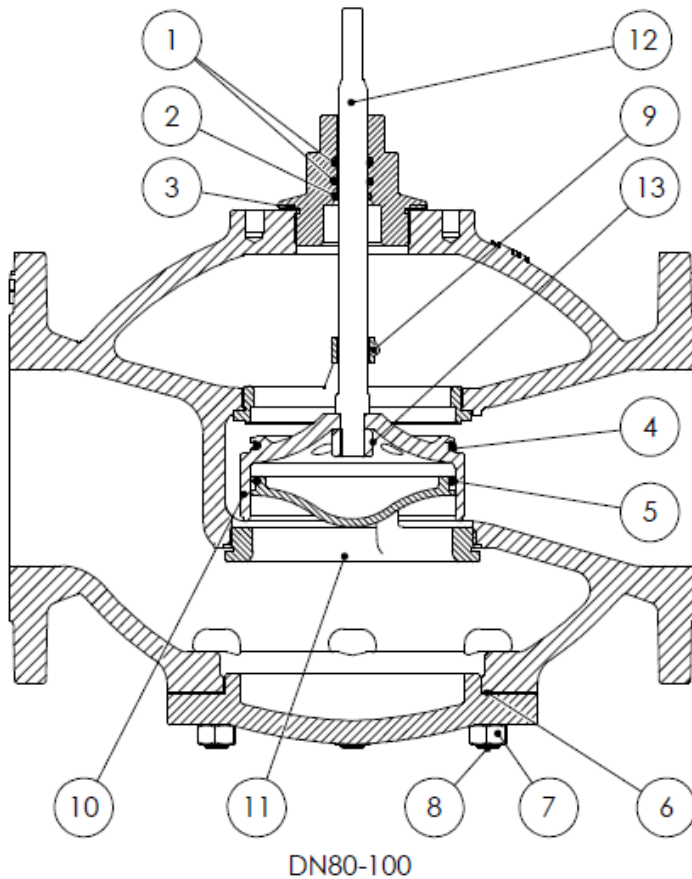


G3F SPARE PARTS

S-2.5.14-A

3-way Control Valves Type Low leakage

Nodular cast iron, PN 16, DN 80-200 mm / PN 10, DN 300/250-300 mm



Pos.	Component
------	-----------

1	O-ring
2	U-ring
3	Gasket
4	O-ring
5	O-ring
6	Gasket
7	Stud bolt
8	Nut
9	Upper seat
10	Cone
11	Lower seat
12	Spindle
13	Nut

Packing set	Pos.	Valve	Item No.
components pos.	1 to 8	80 G3F	1-2992221
	1 to 8	100 G3F	1-2992223
Trim set	Pos.	Valve	No.
components pos.	1 to 13	80 G3F	1-2992220
	1 to 13	100 G3F	1-2992222

Clorius Controls A/S
 Kajakvej 4 · DK-2770 Kastrup · Denmark
 Tel: +45 77 32 31 30 · Fax: +45 77 32 31 31
 E-mail: mail@cloriuscontrols.com
 Web: www.cloriuscontrols.com

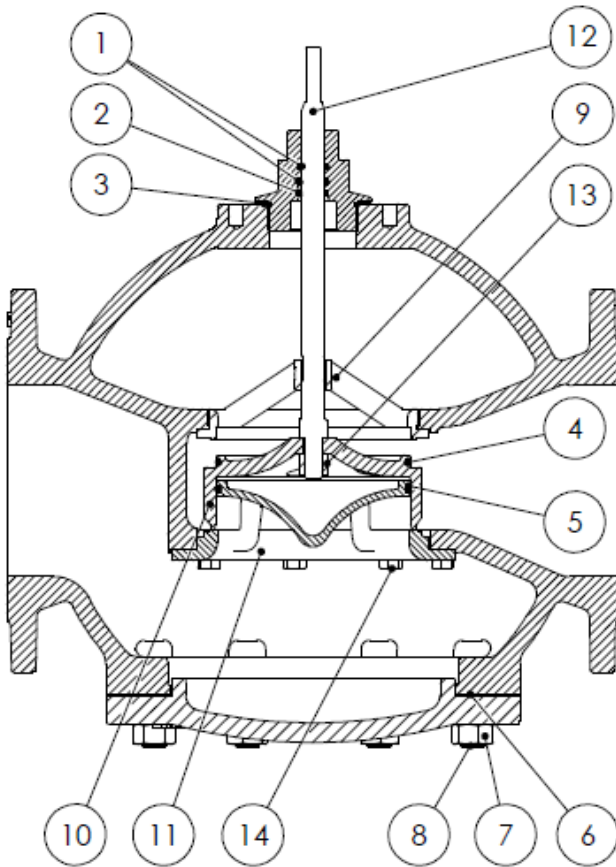
Clorius
 CONTROLS

G3F SPARE PARTS

S-2.5.14-A

3-way Control Valves Type Low leakage

Nodular cast iron, PN 16, DN 80-200 mm / PN 10, DN 300/250-300 mm



DN125-150

Pos.	Component
1	O-ring
2	U-ring
3	Gasket
4	O-ring
5	O-ring
6	Gasket
7	Stud bolt
8	Nut
9	Upper seat
10	Cone
11	Lower seat
12	Spindle
13	Nut
14	Spindle

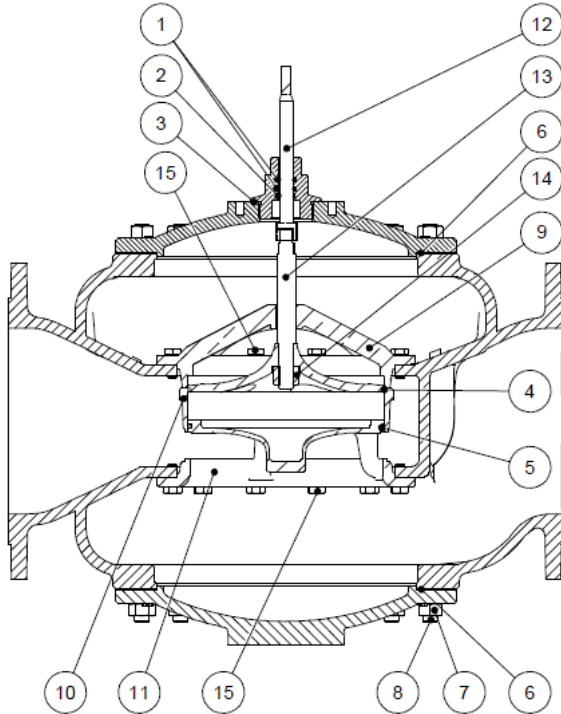
Packing set	Pos.	Valve	Item No.
components pos.	1 to 8	125 G3F	1-2992225
	1 to 8	150 G3F	1-2992227
Trim set	Pos.	Valve	Item No.
components pos.	1 to 14	125 G3F	1-2992224
	1 to 14	150 G3F	1-2992226

G3F SPARE PARTS

S-2.5.14-A

3-way Control Valves Type Low leakage

Nodular cast iron, PN 16, DN 80-200 mm / PN 10, DN 300/250-300 mm



Pos.	Component
1	O-ring
2	U-ring
3	Gasket
4	O-ring
5	O-ring
6	Gasket
7	Stud bolt
8	Nut
9	Upper seat
10	Cone
11	Lower seat
12	Spindle
13	Nut
14	Spindle
15	Screw

Packing set	Pos.	Valve	Item No.
components pos.	1 to 8	200/175 G3F	1-2992229
	1 to 8	200 G3F	1-2992231
	1 to 8	300/250 G3F	1-2992233
	1 to 8	300 G3F	1-2992235
Trim set	Pos.	Valve	Item No.
components pos.	1 to 15	200/175 G3F	1-2992228
	1 to 15	200 G3F	1-2992230
	1 to 15	300/250 G3F	1-2992232
	1 to 15	300 G3F	1-2992234