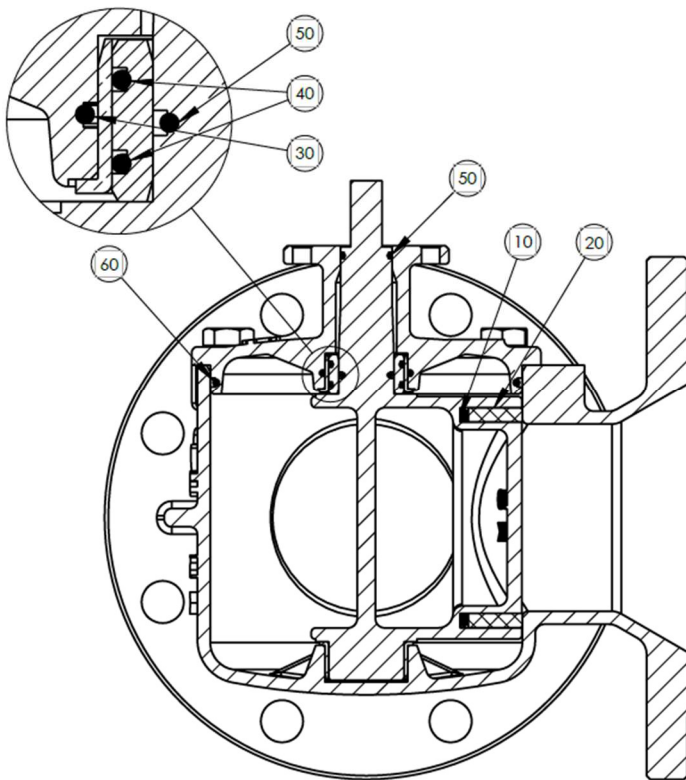


### 3 WAY CONTROL VALVE G3FMT-ULL - PACKING SET

Nodular cast iron, PN10, DN100 - 300 mm (R/L/M CLASS - IV)



S-2.6.15-A



#### CLASS IV - AB-R/L

POS.	DESCRIPTION	PCS
10	O-RING FOR SLIDE	1
20	PTFE SEALING SEAT	1
30	O-RING Ø46X2.5	1
40	O-RING Ø36x2.5	2
50	O-RING Ø23x2.5	2
60	O-RING FOR COVER	1

#### CLASS IV - AB-M

POS.	DESCRIPTION	PCS
10	O-RING FOR SLIDE	2
20	PTFE SEALING SEAT	2
30	O-RING Ø46X2.5	1
40	O-RING Ø36x2.5	2
50	O-RING Ø23x2.5	2
60	O-RING FOR COVER	1

#### PACKING SET FOR G3FMT - ULL AB-R/L CLASS IV

POS.	DESCRIPTION	ORDER NO.
10 - 60	DN100 - G3FMT-ULL	1-2991583
10 - 60	DN125 - G3FMT-ULL	1-2991583
10-60	DN150 - G3FMT-ULL	1-2991581
10 - 60	DN200 - G3FMT-ULL	1-2991577
10 - 60	DN250 - G3FMT-ULL	1-2991579
10 - 60	DN300 - G3FMT-ULL	N/A

#### PACKING SET FOR G3FMT - ULL AB-M CLASS IV

POS.	DESCRIPTION	ORDER NO.
10 - 60	DN100 - G3FMT-ULL	1-2991585
10 - 60	DN125 - G3FMT-ULL	1-2991585
10 - 60	DN150 - G3FMT-ULL	1-2991586
10 - 60	DN200 - G3FMT-ULL	1-2991587
10 - 60	DN250 - G3FMT-ULL	1-2991588
10 - 60	DN300 - G3FMT-ULL	N/A

To be read with data sheet O-2.6.15