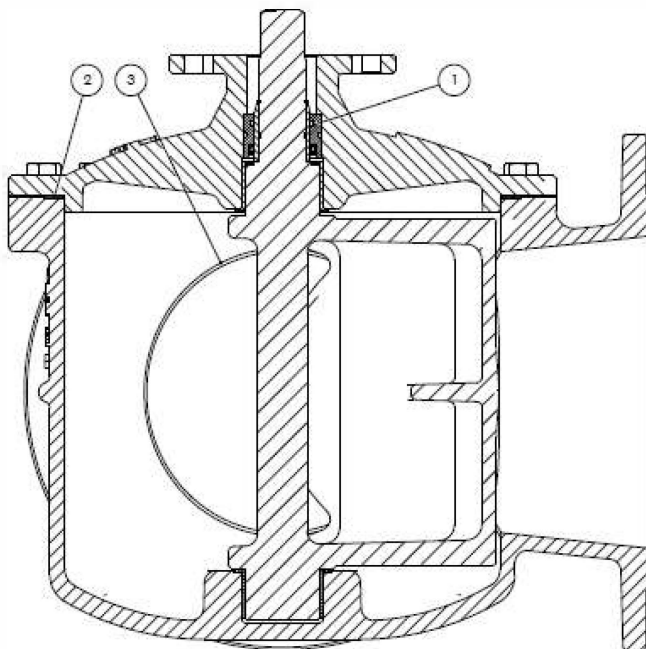


## G3FM-TM (AB-Middle) SPARE PARTS

S-2.6.03.02-A

3-way Control Valves, Nodular cast iron

PN 25, DN65-125 mm / PN16, DN150-300 mm / PN 10, DN350-600 mm



Pos.	Component
1	O-ring for bushing
2	Gasket
3	O-ring for slide

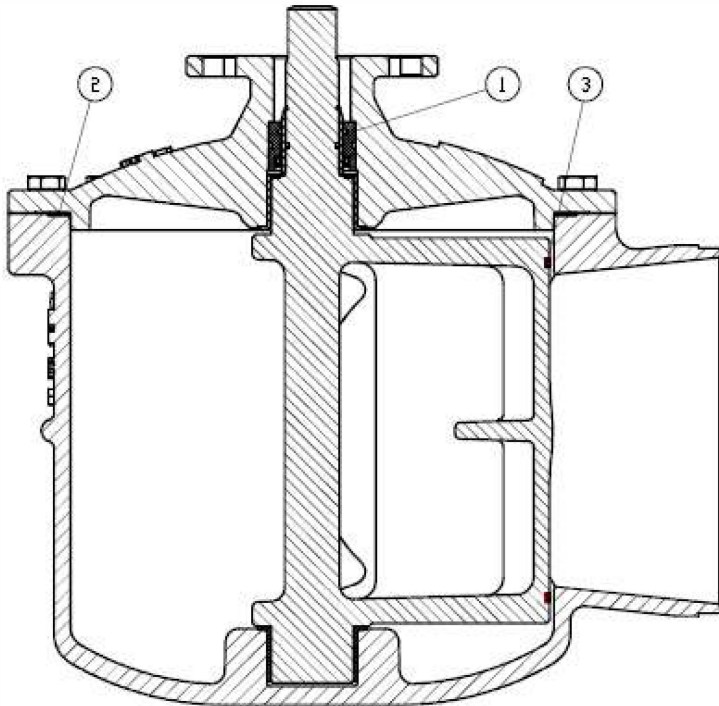
Packing set	Pos.	Valve	Item No.
<b>components pos.</b>	<b>1 to 3</b>	<b>100 G3FM -TM</b>	1-2991525
	<b>1 to 3</b>	<b>125 G3FM -TM</b>	1-2991526
	<b>1 to 3</b>	<b>150 G3FM -TM</b>	1-2991527
	<b>1 to 3</b>	<b>200 G3FM -TM</b>	1-2991528
	<b>1 to 3</b>	<b>250 G3FM -TM</b>	1-2991529
	<b>1 to 3</b>	<b>300 G3FM -TM</b>	1-2991530
	<b>1 to 3</b>	<b>350 G3FM -TM</b>	1-2991531
	<b>1 to 3</b>	<b>400 G3FM -TM</b>	1-2991532
	<b>1 to 3</b>	<b>450 G3FM -TM</b>	1-2991533
	<b>1 to 3</b>	<b>500 G3FM -TM</b>	1-2991534

## G3CM-T SPARE PARTS

3-way Control Valves

Nodular cast iron, PN 16, DN 100-300 mm, Grooved joints

S-2.6.05-A



Pos.	Component
------	-----------

- |   |                    |
|---|--------------------|
| 1 | O-ring for bushing |
| 2 | Gasket             |
| 3 | O-ring for slide   |

Packing set	Pos.	Valve	Item No.
<b>components pos.</b>	<b>1 to 3</b>	<b>100 G3CM -TL</b>	1-2991510
	<b>1 to 3</b>	<b>125 G3CM -TL</b>	1-2991511
	<b>1 to 3</b>	<b>150 G3CM -TL</b>	1-2991512
	<b>1 to 3</b>	<b>200 G3CM -TL</b>	1-2991513
	<b>1 to 3</b>	<b>250 G3CM -TL</b>	1-2991514
	<b>1 to 3</b>	<b>300 G3CM -TL</b>	1-2991515