



Energy optimization

Clorius
CONTROLS
SOLUTION 1



Ultra Low Leakage valve
ANSI class IV <0,01%

Leading manufacturer of control valves

REDUCED TCO AND ENERGY OPTIMIZATION

How to avoid fluctuating engine temperatures, lack of control and frequent breakdown

BROEN Clorius Controls is a leading manufacturer of control valves, actuators, and comprehensive control solutions supporting various marine and industrial applications. Our products are designed for energy optimization, CO₂ reduction and fuel savings.

We know of challenges such as high internal leakage rate, temperature controllers with frequent breakdowns and lack of controls, causing fluctuating engine temperatures and possible thermal stress on the engines and higher workload for the crew. Through our 120 years of experience in temperature controls we have helped owners overcome these problems by using our innovation solutions.

Take control with BROEN Clorius Controls solutions

BROEN Clorius Controls offers

- A broad program of control valves, designed for energy optimization and getting maximum efficiency out of your engine room applications
- Advanced PID control options by default for stable temperature control, also during maneuvering
- Ultra low leakage valves with less than 0,01% leakage
- Easy installation and compact design delivered as a plug n' play solutions
- Fast and easy supply of spare parts – no need to keep on board.

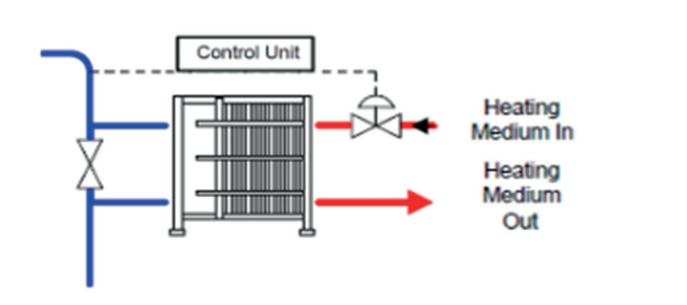
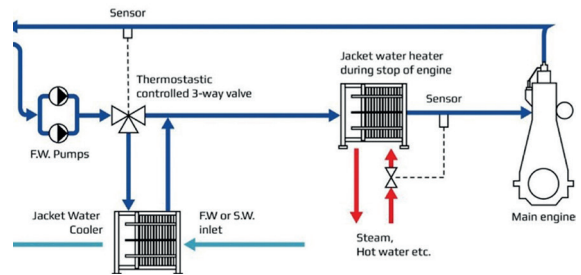
Benefits using our valves

- Minimal maintenance requirements
- Reduced fuel consumption and reduced CO₂ emission
- Easy access to spare parts reducing down time
- Simple and fast retrofit in dock – no special tools are needed
- Lower TCO – Ultra Low Leakage supports the CII.

BROEN CLORIUS CONTROLS ENERGY OPTIMIZATION SOLUTIONS

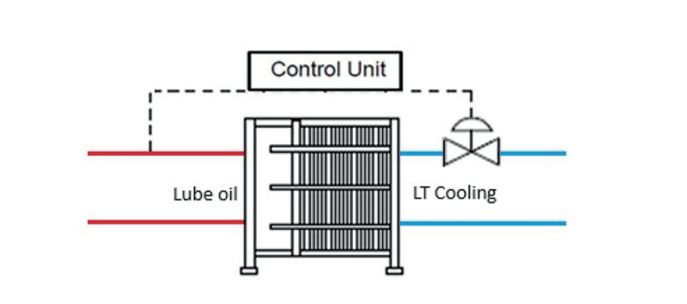
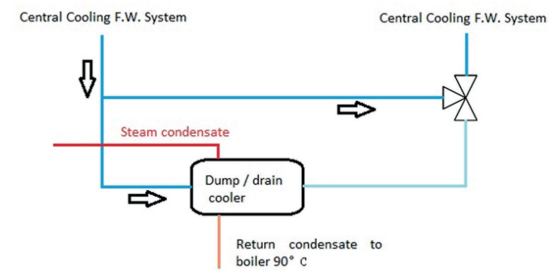
Upgrade – Install – Control – Regulate

Upgrade your HT cooling system with our Ultra Low Leakage valve **to reduce CO₂ emissions and save fuel.**



Install automatic regulated steam valve **to reduce the steam consumption from your pre-heater.**

Control the temperature of return condensate by using a 3-way valve **to reduce oil consumption from your boiler.**



Regulate your cooling water flow through the lube oil cooler **to save power on your VFD controlled LT pumps.**

Leading manufacturer of control valves
 BROEN Clorius Controls is part of BROEN Valve Technologies in Denmark.

BROEN A/S is owned by Aalberts N.V.

Headquarters
 BROEN Clorius Controls
 Skovvej 30
 5610 Assens
 Denmark

Contact information
 Phone: +45 77 32 31 30
 E-mail: mail@cloriuscontrols.com

Cloriuscontrols.com